

High brightness 7" wide TFT

COLOR LCD GPS/WAAS PLOTTER

available with high performance Fish Finder

Models **GP-7000/7000F**

- High-performance GPS/WAAS receiver
- Sunlight viewable 7" TFT bright color LCD (wide 16:9 aspect ratio)
- Compatible with C-Map NT⁺ chart cards
- Dual SD card slots for memory and chart cards (Conventional SD cards can be used for waypoint/route backup)
- Enhanced chart redraw speed
- Display modes: Course Plot, Nav Data, Steering, Highway
- User-friendly interface and operation with rotary encoder and soft keys
- 50/200 kHz, 600 Watts or 1,000 Watts dual-frequency fish finder (GP-7000F)



GP-7000: **GPS/WAAS Plotter**
GP-7000F: **GPS/WAAS Plotter with Fish Finder**

Full-featured GPS / WAAS plotter with exceptional redraw speed and a bright LCD display



Sunlight Viewable

For optimum data presentation, the GP-7000 and GP-7000F utilize a display that can be viewed in direct sunlight. It also provides excellent contrast and a wide viewing angle. Special anti-reflective filters enhance the screen to reduce glares on the TFT LCD.



Rotary Encoder

The rotary encoder allows you to perform all the functions of the GP-7000 and GP-7000F with minimal hand movement for simplified operation.



Dual SD card slots

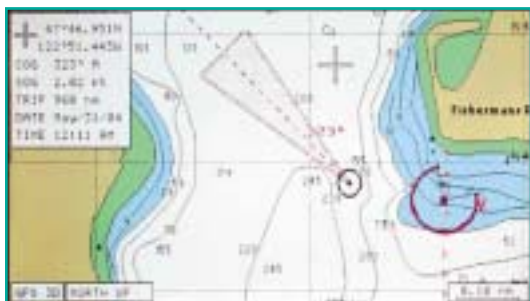
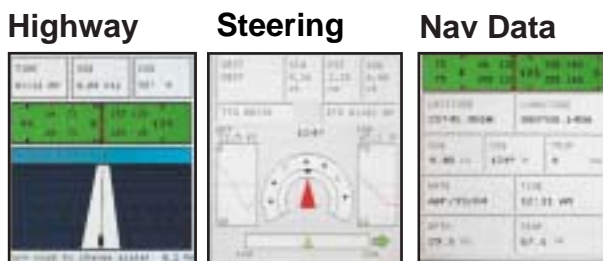
The GP-7000 and GP-7000F provides two SD (Secure Digital) cards slots. Either slot can be used for C-Map NT⁺ charts or memory storage of Nav data. More than 280,000 waypoints can be stored in a commercial 32 MB card, while the internal memory can store up to 2,000 waypoints.

The GP-7000 and GP-7000F are GPS/WAAS plotters designed for a variety of vessels with video plotting and echo sounding capabilities*. With the GP-7000 series, you can see the highly accurate position of your boat on the chart. (*GP-7000F only)

The GP-7000 series has four display modes: Course Plot, Nav Data, Steering, and Highway modes. The course plot mode is useful for obtaining general information about surrounding sea areas. The Nav data mode clearly shows important navigational information with large text, which is easy to see even from a distance. The steering mode and highway mode assist the operator in following a predetermined route.

The GP-7000 series uses C-Map NT+ charts. These charts provide navigational information including water depth, contours, coastlines, lighthouses, buoys, etc. The use of the SD cards facilitates the management of the expanded chart data.

The GP-7000 series gives unique functions by use of C-Map charts. The C-forecast™ feature is an innovative weather forecasting system which provides accurate, easy to understand forecasts on wind speed, direction and wave height. The information allows operators to see the conditions clearly and simply to help detect potential weather hazards.



Another feature is Guardian Technology™. It continuously scans the electronic chart data in front of the boat to detect rocks, shoals, obstructions and land areas that could pose a threat if the vessel were to continue along its current course. The area searched is user-definable and is identified by a triangle on the screen. Triggering timely and clear alarms, Guardian Technology provides a new level of safety only previously available on commercial shipping systems.

Guardian Technology™



RM North-up

Presentation Modes

Four presentation modes are available in the course plot display. True north is fixed at the screen top in the North-up modes like a normal paper chart. In the Auto Course-up mode, automatic resetting takes place at course change of 30 degrees and the ship's intended course is kept at the screen top like a head-up display.

Course-up

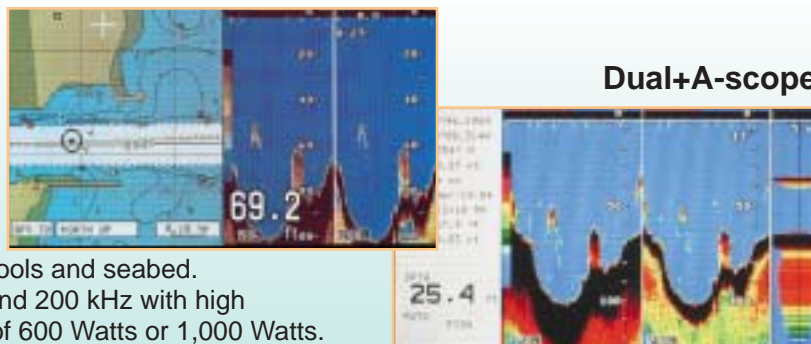


In True Motion modes, coastlines remain stationary on the screen while your vessel moves according to its actual speed and course. In the Relative Motion mode, your vessel is kept at the screen center and coastlines move relative to your vessel.

Combination

GPS Fish Finder GP-7000F

The fish finder function of the GP-7000F graphically depicts underwater conditions, such as fish schools and seabed. Operating frequency is 50 and 200 kHz with high transmission output power of 600 Watts or 1,000 Watts. The information can be displayed together with the course plot mode in split screen or by itself on a full screen.



Dual+A-scope

SPECIFICATIONS OF GP-7000/7000F

GPS RECEIVER CHARACTERISTICS

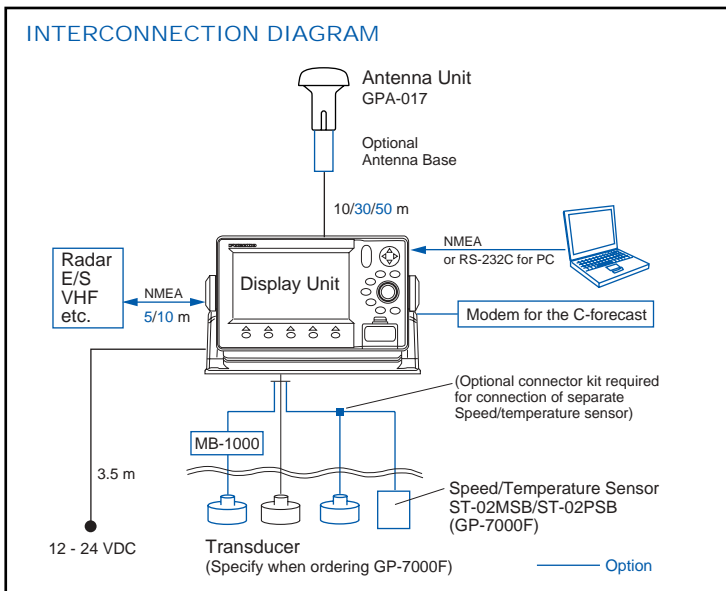
- 1. Receiver Type** Twelve discrete channels, C/A code, all-in-view, Integral WAAS receiver processor
- 2. Receive Frequency** L1 (1575.42 MHz)
- 3. Accuracy** GPS: 10 m (95%)
WAAS: 3 m (95%)
- 4. Time to First Fix** 12 s (warm start)
- 5. Tracking velocity** 999 kt
- 6. Geodetic System** WGS-84

PLOTTER CHARACTERISTICS

- 1. Display** 7" color LCD, 480 x 234 pixels (wide 16:9 aspect ratio)
- 2. Latitude Limits** Between 80°N and 80°S
- 3. Plot Interval** 1, 5, 10, 30 s, 1, 5, 10, 30 m, 1 h
0.01, 0.05, 0.5, 1.0, 2.0, 5.0, 10.0 nm
- 4. Display Modes** Course Plot, Nav Data, Steering Display, Highway, Combination with Echo Sounder*
*GP-7000F only
- 5. Presentation Modes** TM/RM North-up, Course-up, Auto Course-up
- 6. Memory Capacity** (Internal memory) Up to 12,000 points for ship's track points, 2,000 waypoints and 200 planned routes (Max. 35 waypoints/route)
- 7. Voyage Planning** Waypoint navigation or route navigation
- 8. Alarms** Arrival/anchor watch, XTE, proximity alert, ship speed, depth*, water temperature*, fish*
*GP-7000F —Temperature sensor required for water temp alarm.
- 9. Interface** (NMEA 0183 ver. 1.5/2.0/3.0)
Outputs: AAM, APB, BOD, BWR, DBT*, DPT*, GGA, GLL, GTD, HDG, MTW*, MWV, RTE, RMA, RMB, RMC, TLL, VHW, VTG, WPL, XTE, ZDA
Inputs: VHW, HDT, HDG, TLL, DSC, DPT, MTW, MWV *GP-7000F
- 10. Electronic Chart** C-MAP NT chart/NT+ chart
- 11. Language** English, Italian, French, German, Spanish, Norwegian, Swedish, Portuguese

ECHO SOUNDER (GP-7000F)

- 1. Display Modes** Normal (single- or dual-frequency), Bottom-lock, Bottom Zoom, Marker Zoom, A-scope, Combination with Plotter
- 2. Frequency** 50 and 200 kHz
- 3. Output Power** 600 W/1 kW (specify when ordering)
- 4. Basic Ranges** 8 basic ranges customized to max 1200 m (4000 ft, 650 fa)
- 5. Range Shift** Up to 1200 m (4000 ft, 650 fa)



ENVIRONMENTAL CONDITIONS (IEC 60945 test method)

- 1. Temperature**
Display Unit: -15°C to +55°C
Antenna Unit: -25°C to +70°C
- 2. Water Resistance**
Display Unit: IPX5 (IEC 60529), CFR46 (USCG)
Antenna Unit: IPX6 (IEC 60529), CFR46 (USCG)

POWER SUPPLY
12 - 24 VDC, 1.5 - 0.8 A

EQUIPMENT LIST

Standard

1. Display Unit GP-7000/7000F 1 unit
2. Antenna Unit GPA-017 with 10 m cable 1 unit
3. Installation Materials and Standard Spare Parts 1 set

Option

1. NMEA Cable with 6-6p connectors (5 m: MJ-A6SPF0012-050, 10 m: MJ-A6SPF0012-100), with 6p connector (5 m: MJ-A6SPF0003-050), with 7p connector (5 m: MJ-A7SPF0007-050)
2. External Cable for Antenna Unit, 30/50 m
3. Antenna Mounting Base
13-QA330 (Pipe mount), 13-QA310 (Offset bracket), 13-RC5160 (Handrail mount)
4. Speed/Temperature Sensor ST-02MSB/ST-02PSB (GP-7000F)
5. Connector Cable for Speed/Temperature Sensor
6. Cable between Distribution Box and Display Unit 02S4089-0
7. Distribution Box MB-1000
8. Inner Hull Kit 22S0191-1

Transducers (Specify when ordering GP-7000F)

600 W

520-5PSD (Plastic thru-hull), 520-5MSD (Bronze thru-hull), 525-5PWD (Plastic transom)

1 kW

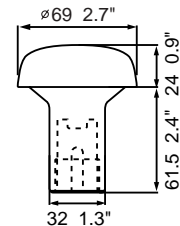
50B-6, 50B-6G, 200B-5, 200B-5S, 50/200-1T (Optional matching box required)

Triducers® (Specify when ordering GP-7000F)

525ST-PWD (Plastic, Transom), 525ST-MSD (Bronze, Thru-hull)

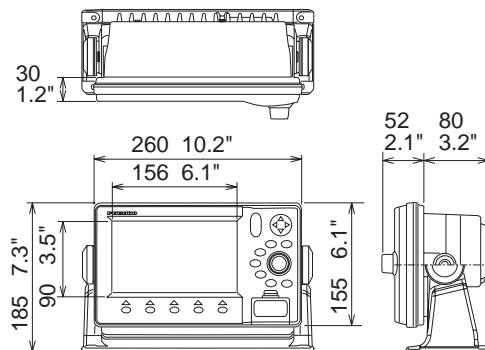
GPS ANTENNA

GPA-017 0.6 kg 1.3 lb



DISPLAY UNIT

2.6 kg 5.7 lb



SPECIFICATIONS SUBJECT TO CHANGE WITHOUT NOTICE

FURUNO U.S.A., INC.
Camas, Washington, U.S.A.
Phone: +1 360-834-9300 Fax: +1 360-834-9400

FURUNO (UK) LIMITED
Denmead, Hampshire, U.K.
Phone: +44 2392-230303 Fax: +44 2392-230101

FURUNO FRANCE S.A.
Bordeaux-Mérignac, France
Phone: +33 05 56 13 48 00 Fax: +33 05 56 13 48 01

FURUNO ESPAÑA S.A.
Madrid, Spain
Phone: +34 91-725-90-88 Fax: +34 91-725-98-97

FURUNO DANMARK AS
Hvidovre, Denmark
Phone: +45 36 77 45 00 Fax: +45 36 77 45 01

FURUNO NORGE A/S
Ålesund, Norway
Phone: +47 70 102950 Fax: +47 70 127021

FURUNO SVERIGE AB
Västra Frölunda, Sweden
Phone: +46 31-7098940 Fax: +46 31-497093

FURUNO FINLAND OY
Espoo, Finland
Phone: +358 9 4355 670 Fax: +358 9 4355 6710

04085N Printed in Japan