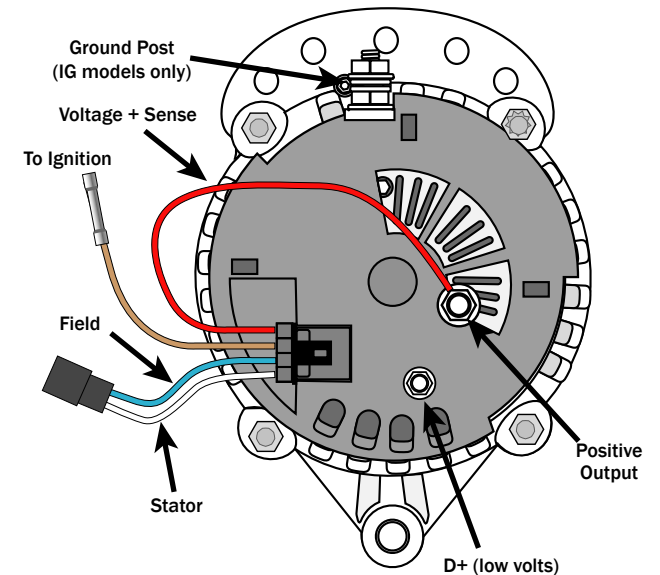
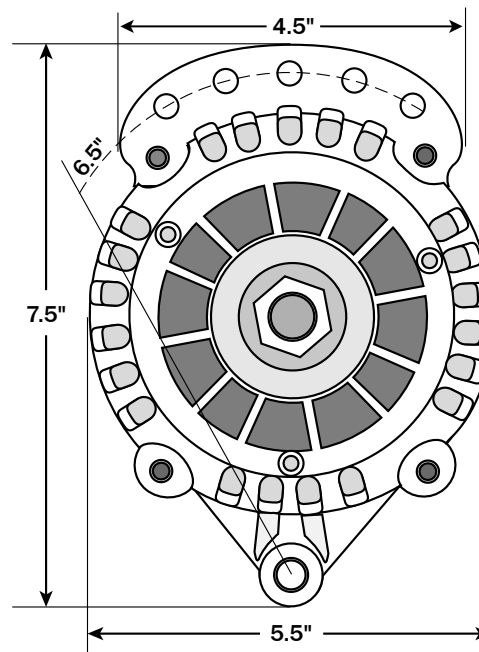




604-Series Alternators

Models:

Model	Rated Amps	Volts	Ground
604-120-SR-IG	120	12	Isolated
604-150-SR-IG	150	12	Isolated
604-70-24-SR-IG	70	24	Isolated



Specifications

Mounting Foot Configuration - Dual Foot (4" ID)

Tensioning Arm - Multi-Position Crown

Rotor/Stator - 12-Pole

Charging Output - Single Positive Post

Stator Output - Rectified Alternating Current (AC)

Low Voltage Output - Diode Trio (D+)

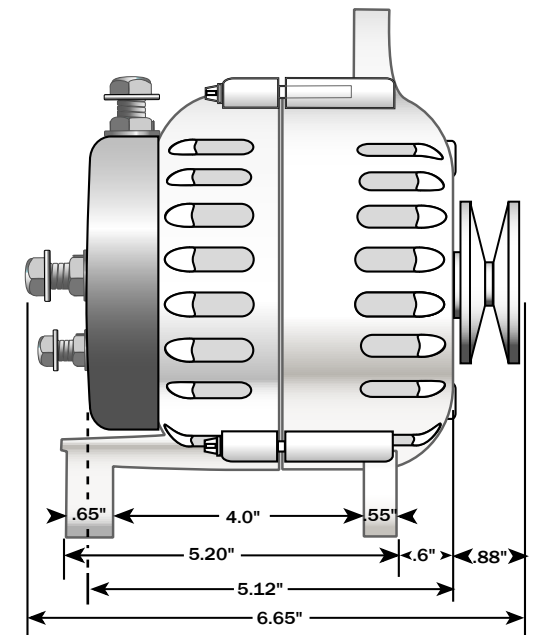
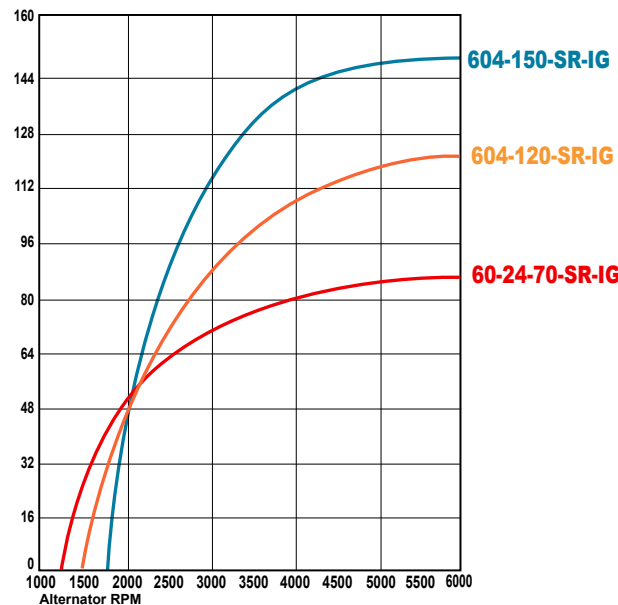
Bearings - Sealed, Internally lubricated HD

Cooling - Dual Internal Fans

Regulation - Internal Single Stage With Wiring

Connection for External Multi Stage Regulator

Warranty - One Year Limited



Note: 135 and 160-amp models equipped with dual belt pulleys. Overall measurement from front of std. dual pulley is 6.8"