



60-Series Alternators

Models:

Model	Rated Amps	Volts	Ground
60-70-SR-IG	70	12	Isolated
60-100-SR-IG	100	12	Isolated
60-120-SR-IG	120	12	Isolated
60-150-SR-IG	150	12	Isolated
60-70-24-SR-IG	70	24	Isolated

Specifications

Mounting Foot Configuration - Dual Foot (3.15" ID)

Tensioning Arm - Multi-Position Crown

Rotor/Stator - 12-Pole

Charging Output - Single Positive Post

Stator Output - Rectified Alternating Current (AC)

Low Voltage Output - Diode Trio (D+)

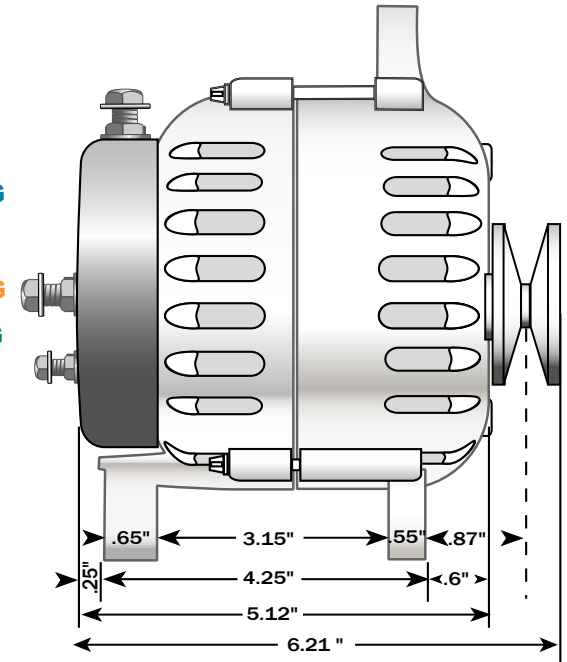
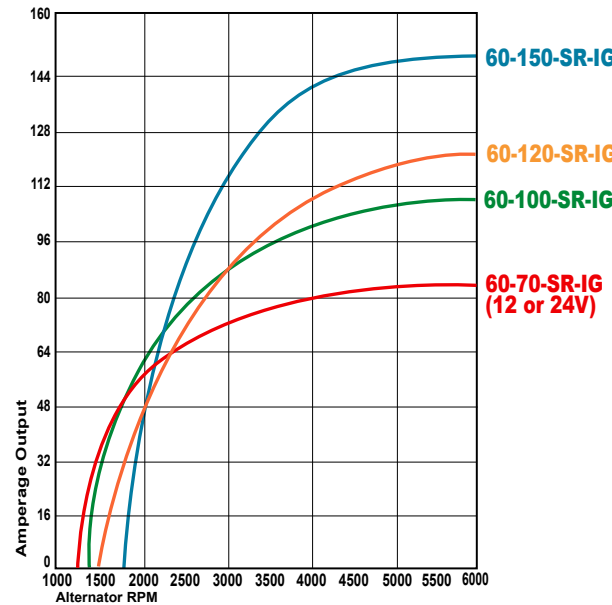
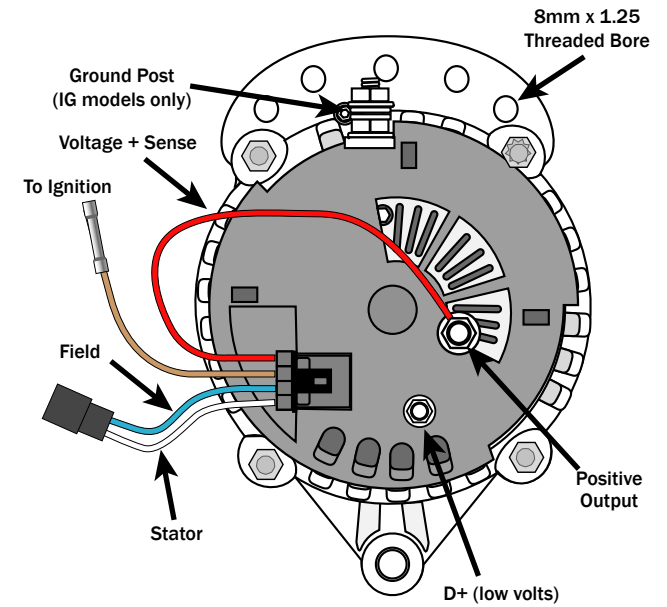
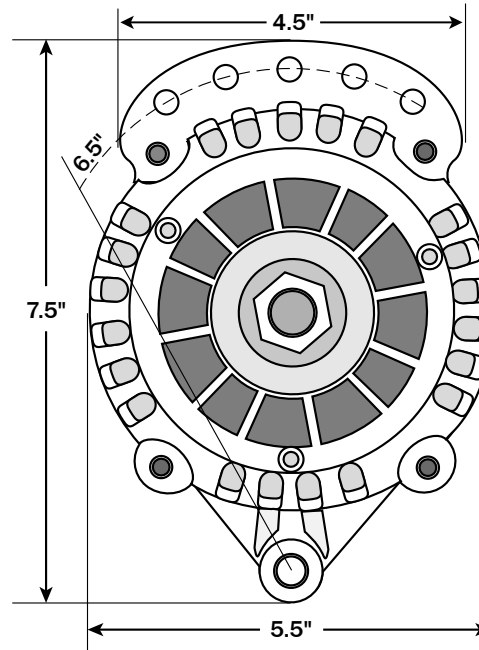
Bearings - Sealed, Internally lubricated HD

Cooling - Dual Internal Fans

Regulation - Internal Single Stage With Wiring

Connection for External Multi Stage Regulator

Warranty - One Year Limited



Note: 135 and 160-amp models equipped with dual belt pulleys. Overall measurement from front of std. dual pulley is 6.8"